

Suction cup connection nipple

SA-NIP N003 M3-AG DN100

Part no...:10.01.01.00316

<https://www.schmalz.com/10.01.01.00316>

Home > Vacuum Technology for Automation > Vacuum Components > Vacuum Suction Cups > Flat Suction Cups (Round) > SA-NIP N003 M3-AG DN100

Suction cup connection nipple



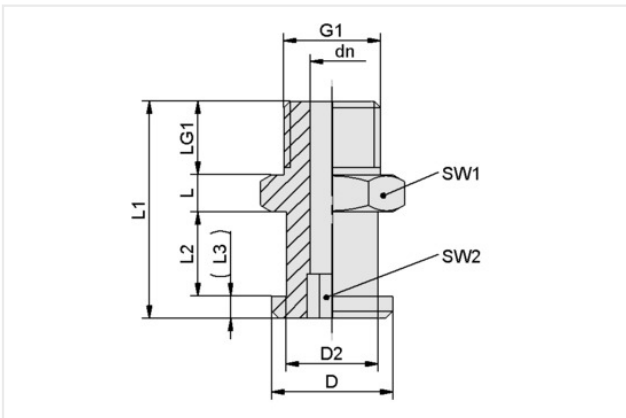
Thread G1: M3-M

Length L1: 7.5 mm

Fitting length: 2 mm

Material: Aluminum

Design Data



Attribute	Value
D	3.20 mm
dn	1 mm
D2	2 mm
G1	M3-M
L	2 mm
L1	7.50 mm
L2	1.50 mm
L3	1 mm
LG1	3 mm
SW1	5 mm

Technical Data

Attribute	Value
Nipple family	N 003
Material	Aluminum
Weight	0.20 g

Accessories

Contact Schmalz

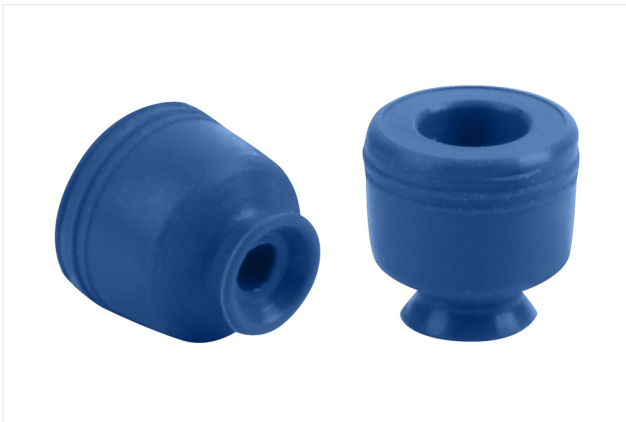
J. Schmalz GmbH | Johannes-Schmalz-Str.1, 72293 Glatten, Germany | +49 7443 2403-102 | customercenter@schmalz.de

Suction cup connection nipple

SA-NIP N003 M3-AG DN100

Part no...:10.01.01.00316

<https://www.schmalz.com/10.01.01.00316>



PFG 2 HT1-60 N003

Part no...:10.01.01.12967

Size: 2

Suction cup material: High temperature material HT1

Material hardness [Shore A]: 60 Shore A



PFG 2 NBR-CO-55 N003

Part no...:10.01.01.10063

Size: 2

Suction cup material: Nitrile rubber NBR-conductive

Material hardness [Shore A]: 55 Shore A



PFG 2 NBR-55 N003

Part no...:10.01.01.00003

Size: 2

Suction cup material: Nitrile rubber NBR

Material hardness [Shore A]: 55 Shore A

Suction cup connection nipple

SA-NIP N003 M3-AG DN100

Part no...:10.01.01.00316

<https://www.schmalz.com/10.01.01.00316>



PFG 2 SI-CO-55 N003

Part no...:10.01.01.10050

Size: 2

Suction cup material: Silicone SI conductive

Material hardness [Shore A]: 55 Shore A



PFG 2 SI-55 N003

Part no...:10.01.01.00023

Size: 2

Suction cup material: Silicone SI

Material hardness [Shore A]: 55 Shore A

Material characteristics: FDA-compatible



PFG 3.5 HT2-65 N003

Part no...:10.01.01.00064

Size: 3.5

Suction cup material: High temperature material HT2

Material hardness [Shore A]: 65 Shore A

Material property: non-marking

Suction cup connection nipple

SA-NIP N003 M3-AG DN100

Part no...:10.01.01.00316

<https://www.schmalz.com/10.01.01.00316>



PFG 3.5 HT1-60 N003

Part no...:10.01.01.12981

Size: 3.5

Suction cup material: High temperature material HT1

Material hardness [Shore A]: 60 Shore A



PFG 3.5 NBR-CO-55 N003

Part no...:10.01.01.10042

Size: 3.5

Suction cup material: Nitrile rubber NBR-conductive

Material hardness [Shore A]: 55 Shore A



PFG 3.5 NBR-55 N003

Part no...:10.01.01.00004

Size: 3.5

Suction cup material: Nitrile rubber NBR

Material hardness [Shore A]: 55 Shore A

Suction cup connection nipple

SA-NIP N003 M3-AG DN100

Part no...:10.01.01.00316

<https://www.schmalz.com/10.01.01.00316>



PFG 3.5 SI-CO-55 N003

Part no...:10.01.01.00752

Size: 3.5

Suction cup material: Silicone SI conductive

Material hardness [Shore A]: 55 Shore A



PFG 3.5 SI-55 N003

Part no...:10.01.01.00024

Size: 3.5

Suction cup material: Silicone SI

Material hardness [Shore A]: 55 Shore A

Material characteristics: FDA-compatible